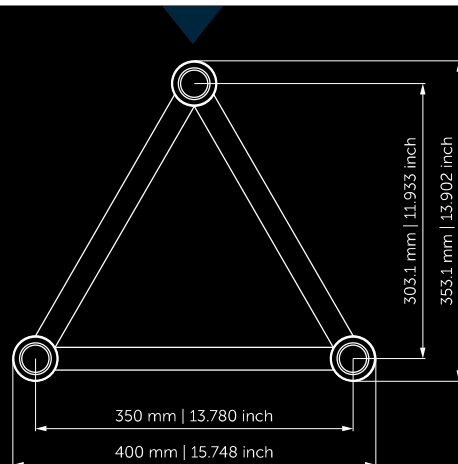
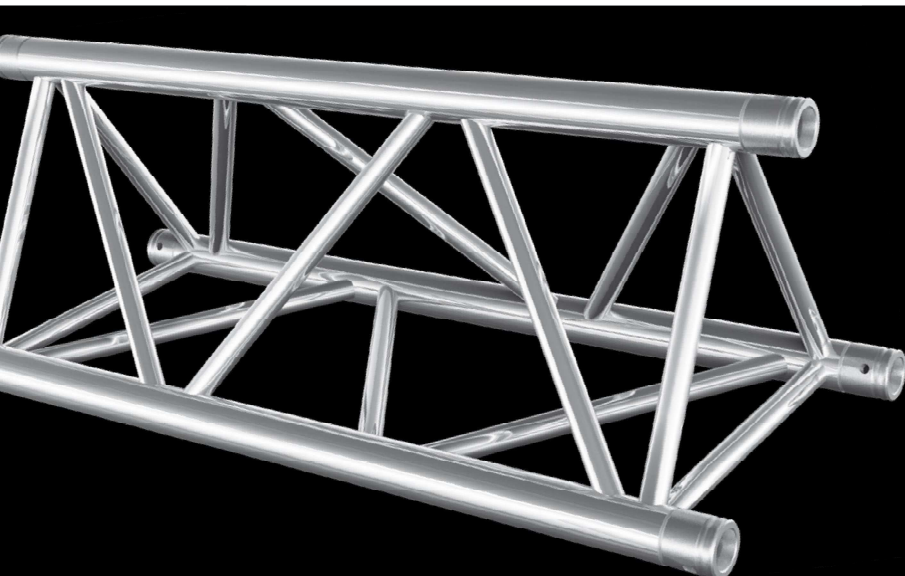


QUICKLOCK LINE FT43 / HT43 triangle



SPECIFICATIONS FT43

TUBES	50x2mm (2 x 0.08inch)
BRACES	25x3mm (1 x 0.12inch)
ALLOY	EN-AW 6082 T6



SPECIFICATIONS HT43

TUBES	50x3mm (2 x 0.12inch)
BRACES	25x3mm (1 x 0.12inch)
ALLOY	EN-AW 6082 T6

STRAIGHT SEGMENT LENGTHS FT43

CODE	LENGTH		WEIGHT	
FT43-50	0.5m	1.64ft	3.8kg	8.29lb
FT43-75	0.75m	2.46ft	5.0kg	11.08lb
FT43-87.5	0.875m	2.87ft	5.5kg	12.12lb
FT43-100	1m	3.28ft	6.3kg	13.87lb
FT43-125	1.25m	4.10ft	7.0kg	15.46lb
FT43-150	1.5m	4.92ft	8.5kg	18.72lb
FT43-200	2m	6.56ft	10.6kg	23.33lb
FT43-250	2.5m	8.20ft	12.8kg	28.11lb
FT43-300	3m	9.84ft	15.2kg	33.49lb
FT43-350	3.5m	11.48ft	17.3kg	38.15lb
FT43-400	4m	13.12ft	19.6kg	43.17lb
FT43-450	4.5m	14.76ft	21.6kg	47.63lb
FT43-500	5m	16.40ft	24.0kg	52.94lb

STRAIGHT SEGMENT LENGTHS HT43

CODE	LENGTH		WEIGHT	
HT43-50	0.5m	1.64ft	4.2kg	9.17lb
HT43-75	0.75m	2.46ft	5.7kg	12.66lb
HT43-87.5	0.875m	2.87ft	6.3kg	13.94lb
HT43-100	1m	3.28ft	7.3kg	16.01lb
HT43-125	1.25m	4.10ft	8.3kg	18.36lb
HT43-150	1.5m	4.92ft	10.0kg	22.12lb
HT43-200	2m	6.56ft	12.7kg	28.00lb
HT43-250	2.5m	8.20ft	15.4kg	34.02lb
HT43-300	3m	9.84ft	18.4kg	40.66lb
HT43-350	3.5m	11.48ft	21.2kg	46.70lb
HT43-400	4m	13.12ft	24.0kg	52.88lb
HT43-450	4.5m	14.76ft	26.6kg	58.56lb
HT43-500	5m	16.40ft	29.5kg	65.14lb

LOADING TABLES FT43 / HT43

	2m		4m		6m		8m		10m		12m		14m		16m	
Distrib. Load [kg/m]	779	1412	272	457	124	212	70	119	45	75	31	51	21	34	15	25
Deflection [mm]	1.3	1.6	7.2	8.1	16.9	19.4	31.3	35.3	50.9	56.2	75.6	81.9	100.8	108.8	133.3	140.9
Point load [kg]	779	1412	544	913	371	636	282	475	225	375	184	304	144	241	121	207
Deflection [mm]	1	1.2	5.8	6.5	13.6	15.7	25.5	28.6	41.8	45.9	62.8	67.5	84.9	90.7	116.1	123.7
	6.56ft		13.12ft		19.68ft		26.24ft		32.81ft		39.37ft		45.93ft		52.49ft	
Distrib. Load [lb/ft]	523.5	948.9	182.8	307.1	83.3	142.5	47	80	30.2	50.4	20.8	34.3	14.1	22.8	10.1	16.8
Deflection [inch]	0.1	0.1	0.3	0.3	0.7	0.8	1.2	1.4	2	2.2	3	3.2	4	4.3	5.2	5.5
Point load [lb]	1717.7	3113.5	1199.5	2013.2	818.1	1402.4	621.8	1047.4	496.1	826.9	405.7	670.3	317.5	531.4	266.8	456.4
Deflection [inch]	0.04	0.05	0.2	0.3	0.5	0.6	1	1.1	1.6	1.8	2.5	2.7	3.3	3.6	4.6	4.9

Loading tables are valid for static loads and spans with two supporting points. Spans must be supported at each end. Contact structural engineer if there are more supporting points applied or dynamic and wind loads involved.

CORNERS

FT43-C19

10.4kg
(22.83lb)
 2-way 45° corner
 1.5m (4.92ft)

HT43-C19

12.6kg
(27.89lb)


FT43-C20

7.5kg
(16.50lb)
 2-way 60° corner
 1m (3.28ft)

HT43-C20

8.9kg
(19.63lb)


FT43-C21

4.4kg
(9.68lb)
 2-way 90° corner
 0.5m (1.64ft)

HT43-C21

4.8kg
(10.64lb)


FT43-C22

5.1kg
(11.19lb)
 2-way 120° corner
 0.5m (1.64ft)

HT43-C22

5.8kg
(12.81lb)


FT43-C23

5.2kg
(11.54lb)
 2-way 135° corner
 0.5m (1.64ft)

HT43-C23

6.0kg
(13.29lb)


FT43-C24

4.0kg
(8.86lb)
 2-way 90° apex out
 0.5m (1.64ft)

HT43-C24

4.5kg
(9.84lb)


FT43-C25

5.0kg
(11.02lb)
 2-way 90° apex in
 0.5m (1.64ft)

HT43-C25

5.7kg
(12.59lb)


FT43-C31

6.0kg
(13.16lb)
 3-way 90° corner apex up R
 0.5m (1.64ft)

HT43-C31

6.7kg
(14.71lb)


FT43-C32

6.0kg
(13.16lb)
 3-way 90° corner apex up L
 0.5m (1.64ft)

HT43-C32

6.7kg
(14.71lb)

QUICKLOCK LINE FT43 / HT43 triangle



FT43-C33



6.4kg
(14.18lb)



3-way 90° corner apex
down R



0.5m (1.64ft)



HT43-C33



7.3kg
(16.01lb)



3-way 90° corner apex
down R



0.5m (1.64ft)



FT43-T35



6.4kg
(14.01lb)



3-way horizontal T-junction
apex down



0.6x0.5m (1.97x1.64ft)

HT43-T35



7.5kg
(16.50lb)



3-way horizontal T-junction
apex down



0.6x0.5m (1.97x1.64ft)



FT43-T36



5.4kg
(11.85lb)



3-way horizontal T-junction
apex down



0.6x0.5m (1.97x1.64ft)

HT43-T36



6.0kg
(13.26lb)



3-way horizontal T-junction
apex down



0.6x0.5m (1.97x1.64ft)

FT43-T37



5.4kg
(11.90lb)



3-way horizontal T-junction
apex up



0.6x0.5m (1.97x1.64ft)

HT43-T37



6.2kg
(13.57lb)



3-way horizontal T-junction
apex up



0.6x0.5m (1.97x1.64ft)

FT43-T38



6.1kg
(13.35lb)



3-way vertical T-junction
apex down



0.6x0.5m (1.97x1.64ft)

HT43-T38



6.9kg
(15.30lb)



3-way vertical T-junction
apex down



0.6x0.5m (1.97x1.64ft)



FT43-C41



6.8kg
(14.89lb)



4-way cross junction



0.6m (1.97ft)

HT43-C41



7.5kg
(16.48lb)



4-way cross junction



0.6m (1.97ft)

FT43-T42



7.5kg
(16.56lb)



4-way T-junction apex
down



0.6x0.5x0.5m
(1.97x1.64x1.64ft)

HT43-T42



8.5kg
(18.80lb)



4-way T-junction apex
down



0.6x0.5x0.5m
(1.97x1.64x1.64ft)

FT43-T43



6.8kg
(14.91lb)



4-way T-junction apex
down



0.6x0.5x0.5m
(1.97x1.64x1.64ft)

HT43-T43



7.6kg
(16.79lb)



4-way T-junction apex
down



0.6x0.5x0.5m
(1.97x1.64x1.64ft)


FT43-C44

8.1kg
(17.88lb)
 4-way 90° corner R
 0.5m (1.64ft)


HT43-C44

9.1kg
(20.03lb)

FT43-C45

8.1kg
(17.88lb)
 4-way 90° corner L
 0.5m (1.64ft)

HT43-C45

9.1kg
(20.03lb)


FT43-T51

8.4kg
(18.45lb)
 5-way T-junction apex down
 0.6x0.6x0.5m
(1.97x1.97x1.64ft)

HT43-T51

9.3kg
(20.61lb)


FT43-C52

7.9kg
(17.36lb)
 5-way cross junction apex up
 0.6x0.6x0.5m
(1.97x1.97x1.64ft)

HT43-C52

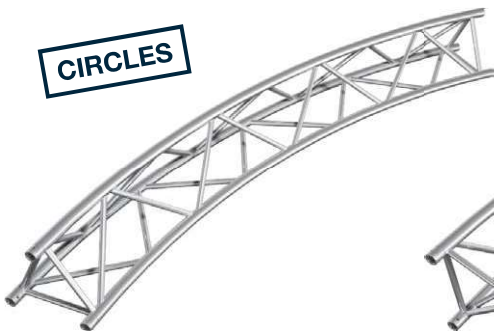
8.7kg
(19.15lb)

FT43-C53

8.8kg
(19.40lb)
 5-way cross junction apex down
 0.6x0.6x0.5m
(1.97x1.97x1.64ft)

HT43-C53

9.8kg
(21.70lb)

CIRCLES

FT43-C1

Circle apex up/down various diameters


HT43-C1
FT43-C2

Circle apex in various diameters

HT43-C2

FT43-C3

Circle apex out various diameters

HT43-C3